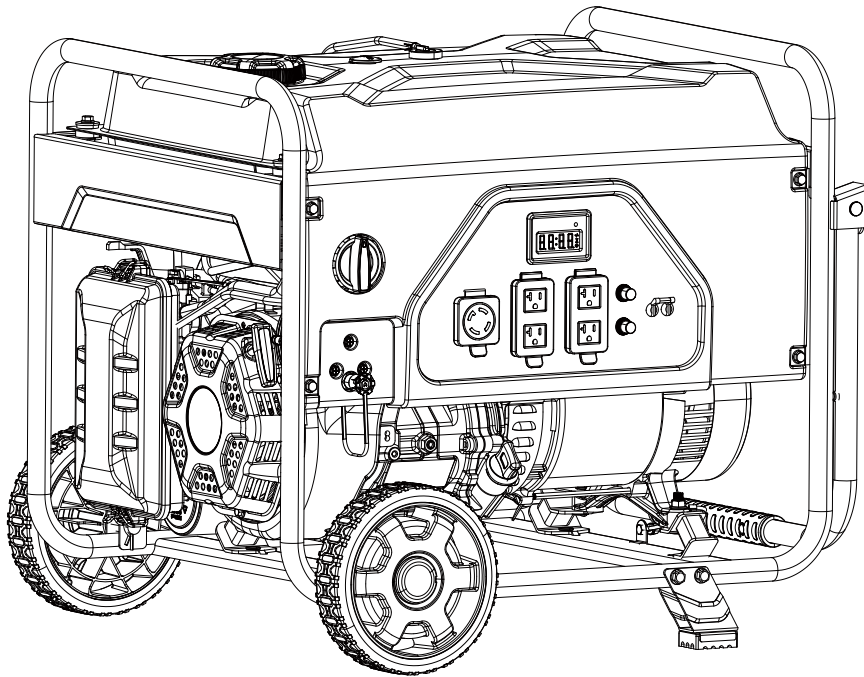




Champion Power Equipment, Inc., Santa Fe Springs, CA USA

MODEL #100592
V



PARTS INFORMATION

6250W DUAL FUEL GENERATOR

SERIAL NUMBER RANGE: ALL



To order replacement parts please visit:
shop.championpowerequipment.com
or call **1-877-338-0999**.

TABLE OF CONTENTS

Generator Parts Diagram	3
Generator Parts List	4
Engine Parts Diagram	5
Engine Parts Part List	6
Cylinder Head Part Diagram	8
Cylinder Head Part List	9
Carburetor Part Diagram	10
Carburetor Part List	11
Alternator Part Diagram	12
Alternator Part List	13
Fuel Tank Part Diagram	14
Fuel Tank Part List	15
Control Panel Part Diagram	16
Control Panel Part List	17
Frame Assembly Part Diagram	18
Frame Assembly Part List	19
Wiring Diagram	20

GENERATOR PARTS DIAGRAM

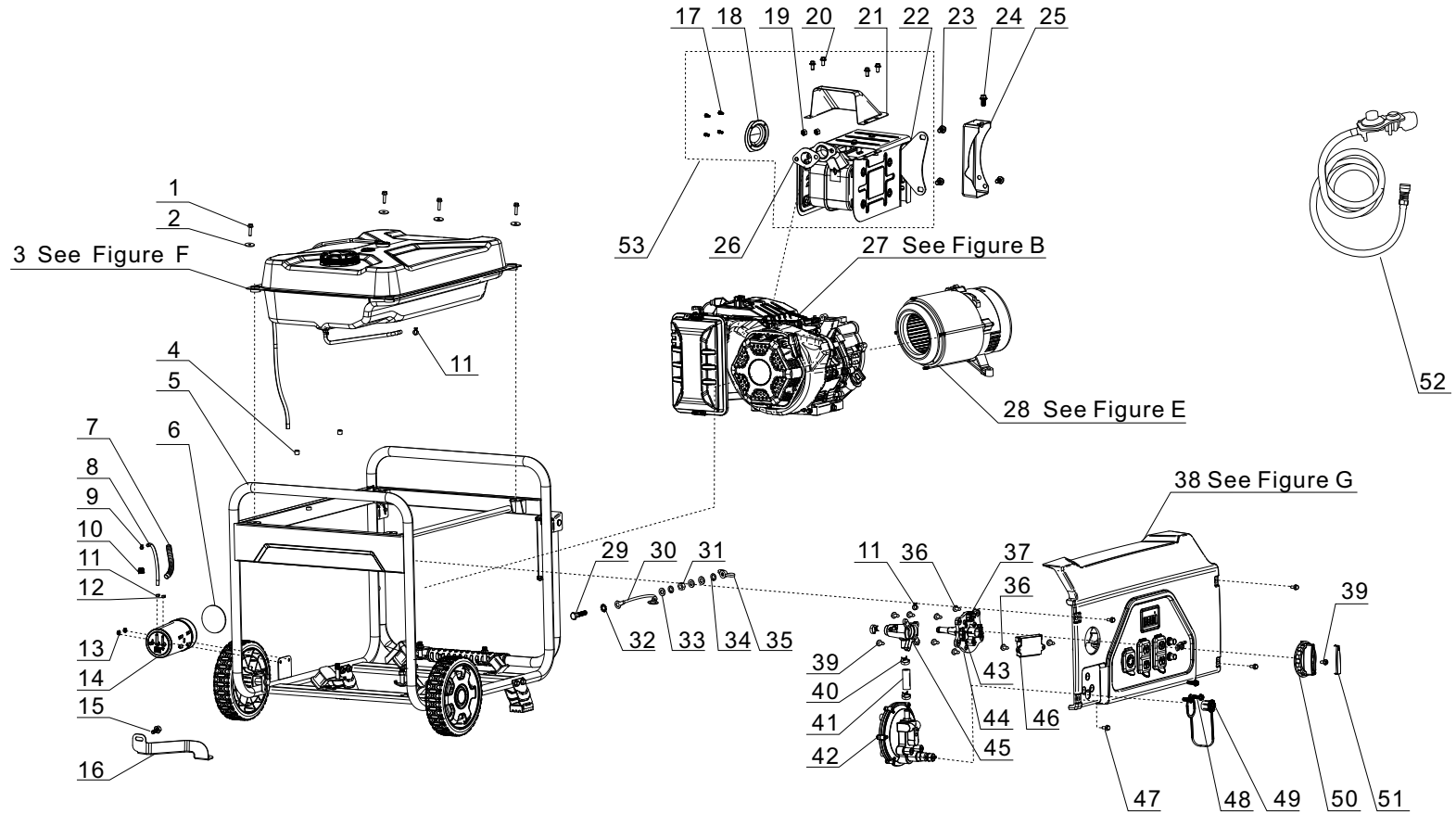


Figure A

GENERATOR PARTS LIST

#	Part Number	Description	Qty.
1	90007-0625-0301	Hexagon Flange Bolt, M6 x 25, Black Zinc	4
2	90408-Y020110-0005	Flat Washer, Ø6, Black Zinc	4
3	100592 - YXZJ - F	Fuel Tank Assembly - See Figure F	1
4	90684-Z140110-0000	Clip, 6 x 10	2
5	100592 - JJZJ - H	Frame Assembly - See Figure H	1
6	82153-YGM0110-00A0	Heat Film	1
7	30431-Y9X0210-0001	Rubber Sleeve, Ø9.5 x Ø11 x 80	1
8	16805-YHD0210-0000	Tube, Air Cleaner Vent, Ø6 x Ø10 x 105	1
9	90685-Z020110-0G00	Clamp, Ø9.5x8x0.8	1
10	90685-YJ30110-Q200	Clamp, Ø9.5xØ8	1
11	90685-Z080210-0G00	Clamp, Ø9x8x0.8	3
12	90685-Z030610-0G01	Clamp, Ø8x7x0.6	1
13	90305-0600-3301	Hexagon Flange Nut, M6,Black Zinc	2
14	16801-YDK0110-00A1	Carbon Canister, 750cc	1
15	90001-0612-0305	Hexagon Flange Bolt, M6 x 12, Black Zinc	1
16	17003-Y290110-0100	Air Cleaner Support, White Zinc	1
17	90107-0510-53	Hexagon Flange Bolt, M5x10, Black Zinc	4
	S/N≤RV2204130225		
	90139-0510-0900		
	S/N>RV2204130225		
18	18250-YJP0110-0000	Spark Arrestor	1
19	90303-0800-0301	Hexagon Nut, M8, Black Zinc	2
20	90007-0612-AGA1	Hexagon Flange Bolt, M6 x 12	4
21	80019-YJP0210-H7A0	Guide Hood, Muffler	1
22	18100-YJP0110-H7A0	Muffler	1
	S/N≤RV2204130225		
	18100-YJP0113-H7A0		
	S/N>RV2204130225		
23	90001-0816-0305	Hexagon Flange Bolt, M8 x 16, Black Zinc	2
24	90001-0816-01A1	Hexagon Flange Bolt, M8 x 16, White Zinc	2

#	Part Number	Description	Qty.
25	18030-Y730110-0000	Muffler Support, White Zinc	1
26	18101-Z080110-00A0	Muffler Outlet Gasket	1
27	R390MN000F3-CMP301	Engine, See Figure B	1
28	100592 - DJZJ - E	Alternator Assembly - See Figure E	1
29	90001-0625-0305	Hexagon Flange Bolt, M6 x 25, Black Zinc	1
30	30009-YHD0110-0000	Grounding Wire	1
31	90303-0600-3305	Hexagon Nut, M6, Black Zinc	1
32	90415-0600-Z301	Lock Washer, Toothed, Black Zinc	1
33	90408-0600-E305	Flat Washer, Black Zinc	3
34	90403-0600-0305	Spring Washer, Black Zinc	2
35	90312-0600-0301	Wing Nut, M6, Black Zinc	1
36	90124-Y9T0510-00A0	Self Tapping Screw, PT5x16	6
37	35190-YJ70110-0000	Micro Switch 1, Engine Stop	1
38	35610-YJP0110-H200	Control Panel Assembly - See Figure G	1
39	90254-0416-51A0	Screw Assembly, M4x16, White Zinc	5
40	90748-1016-00A0	Clamp, Ø10x16	3
41	90729-YJP0110-0000	Hose, Propane Connector, Ø9.5 x Ø16.8 x 40	1
42	77100-Z6U0110-0000	Regulator, Auxiliary	1
43	35190-YJ70210-0000	Micro Switch 2, Engine Stop	1
44	16757-YJ30110-Q2A0	Seat, Fuel Valve	1
45	16750-YJP0110-0000	Fuel Valve Assembly	1
46	35720-YHD0110-0000	CO Module	1
47	90007-0616-A305	Hexagon Flange Bolt, M6 x 16, Black Zinc	4
48	90134-YB00110-00A0	Bolt, Cross Hexagon Pan Head, M5 x 12, Black Zinc	3
49	16287-YJ30110-0000	Dust Cap	1
50	35643-YJP0110-Q2A0	Knob, Fuel Select	1
51	82007-YJ70110-L400	Cover, Fuel Select Knob	1
52	77300-YJ70110-0000	LPG Hose with Regulator	1
53	YLLWJE-XSQ-001	Muffler Assembly	1

ENGINE PARTS DIAGRAM

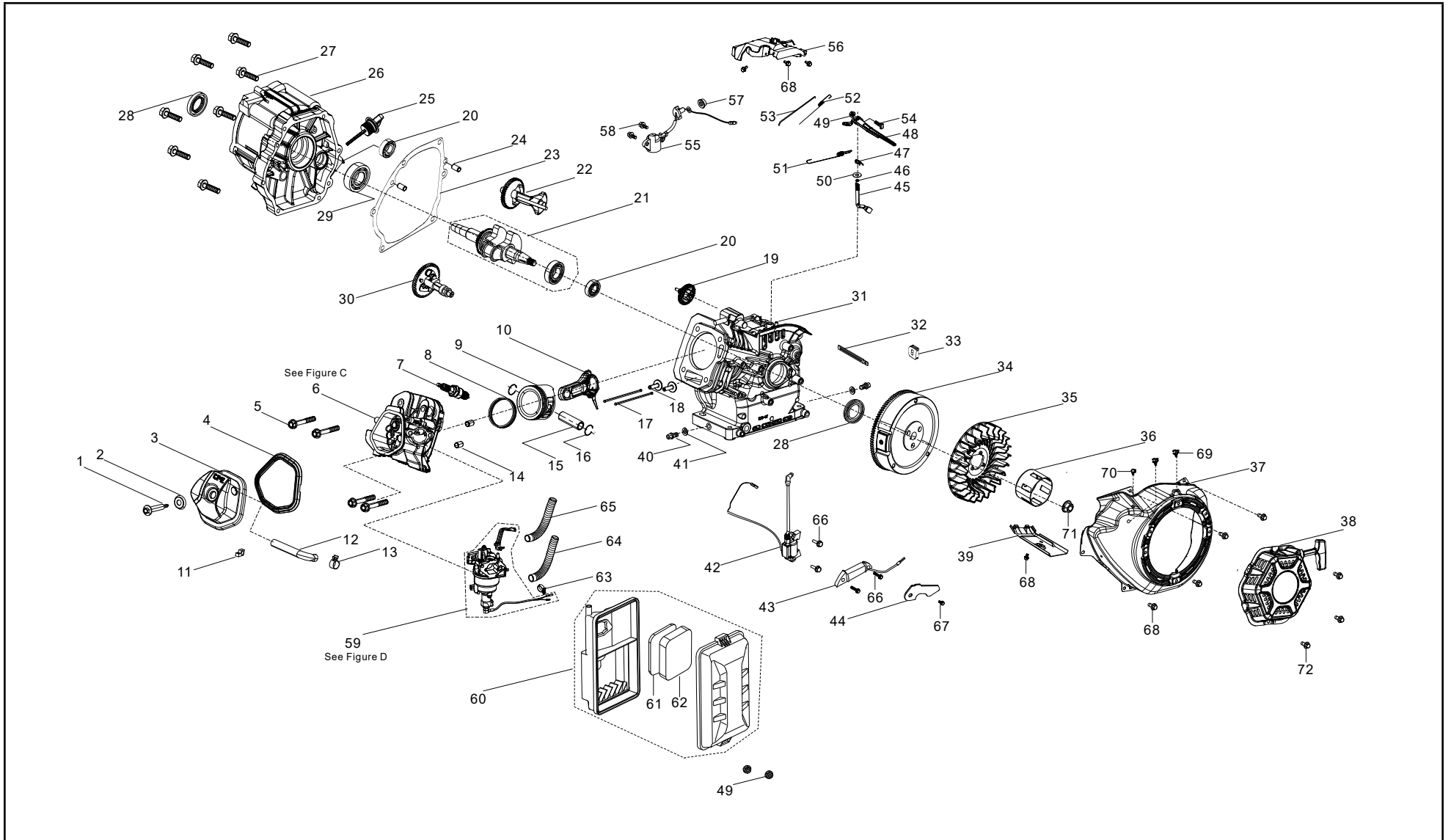


Figure B

ENGINE PARTS PART LIST

#	Part Number	Description	Qty.
1	12032-Z080110-0101	Cylinder Head Cover Flange Bolt	1
2	12034-Z080110-0091	Gasket Assembly, Cylinder Head Cover Bolt, White Zinc	1
3	12410-Z310110-0003	Cylinder Head Cover, Blue White Zinc	1
4	12004-Z080110-0001	Cylinder Head Cover Gasket	1
5	12003-Z080110-0300	Cylinder Head Bolt, M10 x 80, Black Zinc	4
6	R390N - QGT - C000	Cylinder Head - See Figure C	1
7	30010-Z010110-0000	Spark Plug, F6RTC	1
8	13200-Z100110-00A9	Piston Ring Assembly	1
9	13111-Z100210-00A0	Piston	1
10	13010-Z100120-00A0	Connecting Rod	1
11	90804-Y5Z0210-0001	Stop Block	1
12	17004-Z080410-0001	Tube, Breather Ø10.5 x Ø15 x 175	1
13	90740-Z010910-01A0	Clamp, Ø14.5 x 1.2, White Zinc	1
14	90502-1220-00A0	Pin, Ø12 x 20	2
15	13121-Z100110-00A0	Piston Pin, Ø20 x 62	1
16	13122-Z100110-00A0	Piston Pin Clip	2
17	14070-Z100110-00A0	Valve Lifter	2
18	14081-Z080110-00A0	Valve Tappet	2
19	16400-Z100110-00A0	Governor Gear Assembly	1
20	90548-0202-00A0	Bearing	2
21	13300-Z100110-RB00	Crankshaft Assembly	1
22	13401-Z100110-00A0	Balancing Shaft	1
23	11001-Z100120-00A0	Crankcase Gasket	1
24	90502-0812-00A0	Pin, Ø8 x 12	2
25	15010-Z080330-L401	Oil Dipstick	1
26	11411-Z100611-0BA0	Crankcase Cover	1
27	90001-0840-03	Hexagon Flange Bolt, M8 x 40, Black Zinc	7
28	90682-Z310110-00A0	Oil Seal, Ø35 x Ø52 x 7	2
29	90547-0207-00A0	Bearing	1

#	Part Number	Description	Qty.
30	14200-Z100320-0009	Camshaft Assembly	1
31	11310-Z100710-0BA0	Crankcase	1
32	90684-Z010310-0001	Clip, Ø6 x 10.6 x 130	1
33	28101-Z080110-0001	Plug, Rubber	1
34	13510-Z100410-0000	Flywheel	1
35	19352-Z100210-00A0	Engine Fan	1
36	28002-Z100210-0000	Starter Pulley, Blue White Zinc	1
37	28110-Z100220-L402	Cover, Engine Fan	1
38	28200-Z590110-H200	Recoil	1
39	19304-Z100210-0101	Air Guide, Cylinder Body	1
40	11007-Z080110-0300	Drain Plug Bolt, M12 x 18, Black Zinc	2
41	90412-Z080110-00A0	Washer, Ø21 x Ø12 x 2	2
42	30400-Z6U0110-0000	Ignition Coil	1
43	30140-Z160610-0000	Charging Coil	1
44	30001-Z170110-0000	Plate, Charging Coil	1
45	16061-Z100110-00A0	Governor Arm	1
46	90682-Z100210-00A0	Oil Seal, Ø14 x Ø8 x 4	1
47	90501-Z010110-0001	Pin, Blue White Zinc	1
48	16070-Z100120-0001	Governor Support, Blue White Zinc	1
49	90305-0600-33	Hexagon Flange Nut, M6, Black Zinc	3
50	90412-Z080210-00A0	Washer, Ø8.4 x Ø19.5 x 0.8	1
51	16063-Z100710-0001	Spring, Governor, Blue White Zinc	1
52	16012-Z080110-0000	Throttle Valve Returning Spring	1
53	16062-Z100110-0001	Governor Rod, Blue White Zinc	1
54	16072-Z010310-0000	Governor Support Bolt, M6 x 21, Black Zinc	1
55	37060-Z080410-0000	Engine oil Sensor, W/O Nut	1
56	16520-Z6L0110-0001	Air Guide, Engine Fan	1
57	90305-Z010210-0300	Hexagon Flange Nut, M10, Black Zinc	1
58	90001-0616-01A0	Hexagon Flange Bolt, M6 x 16, Blue White Zinc	2

#	Part Number	Description	Qty.
59	100592 - HYQ - D	Carburetor Assembly - See Figure D	1
60	17100-Z102110-0000	Air Cleaner Assembly	1
61	17151-Z0D0210-0000	Element 1, Air Cleaner	1
62	17151-Z0D0310-0000	Element 2, Air Cleaner	1
63	90748-1016-00A0	Clamp, Ø10 x 16	1
64	90729-Z6U0110-0000	Pipe, Ø9.5 x Ø16.8 x 380	1
65	30431-Z120510-0000	Rubber Sleeve, Ø19.5 x Ø18 x 65	1
66	90001-0628-01A0	Hexagon Flange Bolt, M6 x 28, White Zinc	4
67	90001-0610-01A0	Hexagon Flange Bolt, M6 x 10, White Zinc	1
68	90001-0612-03	Hexagon Flange Bolt, M6 x 12, Black Zinc	8
69	90685-Z940310-0001	Clamp 1	2
70	90740-Z010110-0001	Clamp 2	1
71	13501-Z080110-00A0	Flywheel Nut, M16 x 1.5, Blue White Zinc	1
72	90251-0608-03	Bolts & Washer Assembly, M6 x 8	3

CYLINDER HEAD PART DIAGRAM

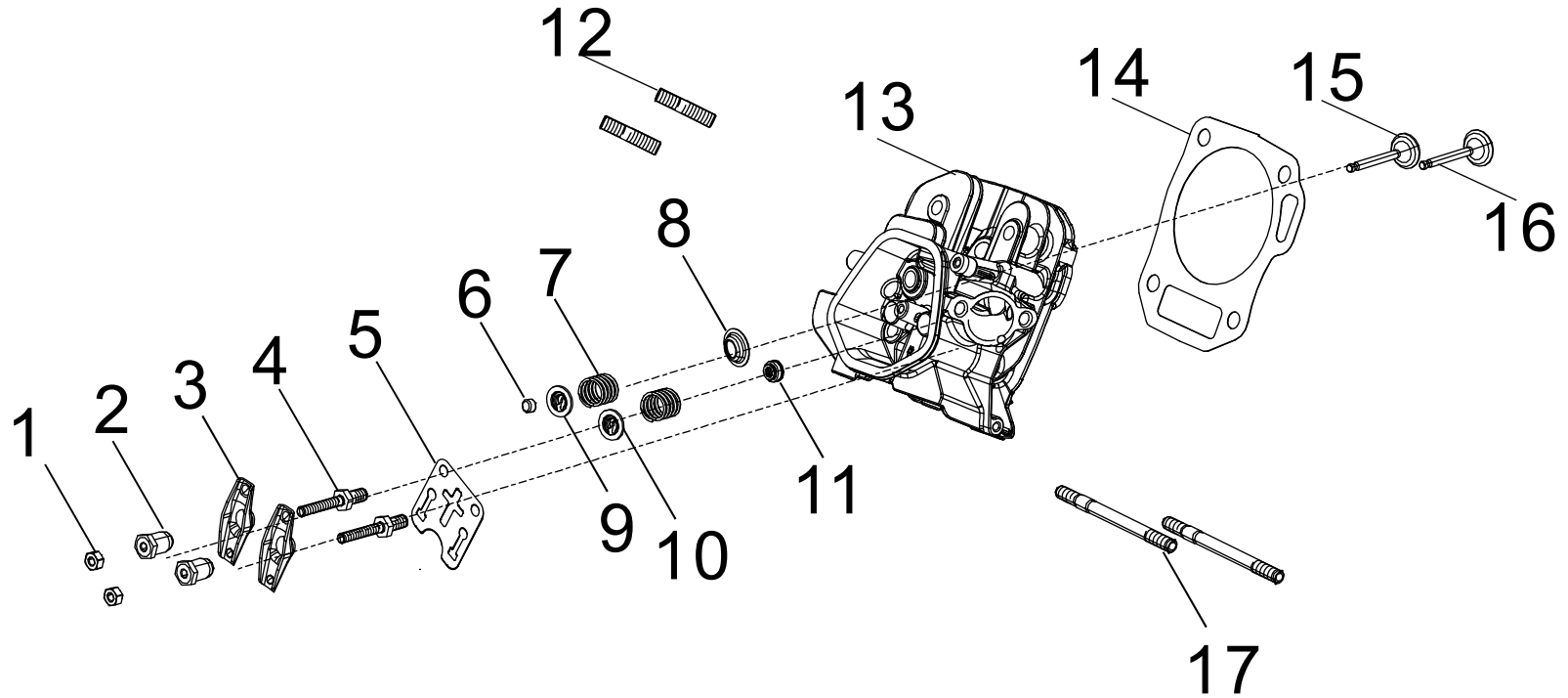


Figure C

CYLINDER HEAD PART LIST

#	Part Number	Description	Qty.
1	14312-Z010110-00A0	Valve Lock Nut	2
2	14314-Z010110-00A0	Valve Adjusting Nut	2
3	14311-Z080110-00A0	Valve Rocker Arm	2
4	14313-Z010110-00A0	Valve Adjusting Bolt	2
5	14090-Z080110-00A0	Plate, Lifter Stopper	1
6	12104-Z080110-00A0	Valve Adjusting Cap	1
7	12103-Z080110-00A0	Valve Spring	2
8	12105-Z080110-00A0	Valve Spring Seat Ring	1
9	12107-Z080110-00A0	Exhaust Valve Spring Seat Ring	1
10	12112-Z080110-00A0	Valve Spring Retainer	1
11	12101-Z080110-00A0	Valve Seal Guide	1
12	90203-Z010110-0000	Stud, M8 x 34, Black Zinc	2
13	12140-Z190430-0B00	Cylinder Head	1
14	12131-Z100110-0000	Cylinder Head Gasket	1
15	12121-Z190110-0000	Exhaust Valve, Ø30 x 85	1
16	12111-Z100110-0000	Intake Valve, Ø35 x 86.2	1
17	90204-Z100410-0000	Stud, M6/M8 x 110, Black Zinc	2

CARBURETOR PART DIAGRAM

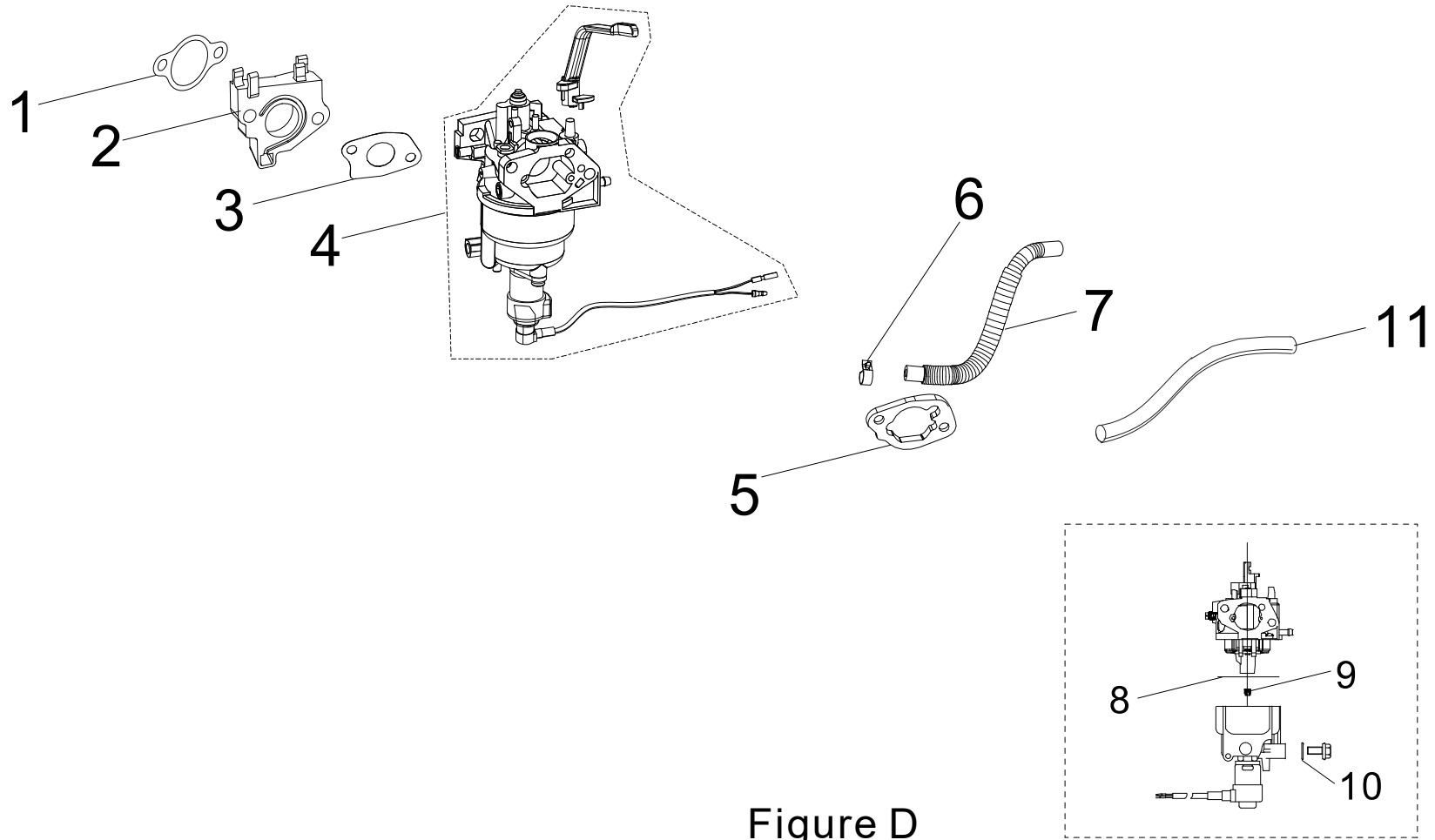


Figure D

CARBURETOR PART LIST

#	Part Number	Description	Qty.
1	17002-Z100110-00A0	Gasket, Inlet	1
2	16003-Z100110-00A0	Carburetor Insulator Plate	1
3	16001-Z100110-00A0	Carburetor Gasket	1
4	16100-Z102610-00M0	Carburetor	1
5	17001-Z080110-00A0	Air Cleaner Gasket	1
6	90685-Z080210-0001	Clamp, Ø9 x 0.8 x 8	1
7	90686-Z6U0210-00M0	Fuel Pipe, Ø4 x Ø10 x 455	1
8	16112-Z080110-0000	Seal Ring, Float	1
9	16161-Z153910-00A2	Main Jet (98#), Standard	1
	16161-Z153610-00A2	Main Jet (95#), Altitude 3000-6000 Feet	-
	16161-Z153310-00A0	Main Jet (92#), Altitude 6000-8000 Feet	-
10	90681-Z010510-0000	Seal Ring	1
11	30431-Z120310-0000	Rubber Sleeve, Ø13 x Ø11.5 x 180	1

ALTERNATOR PART DIAGRAM

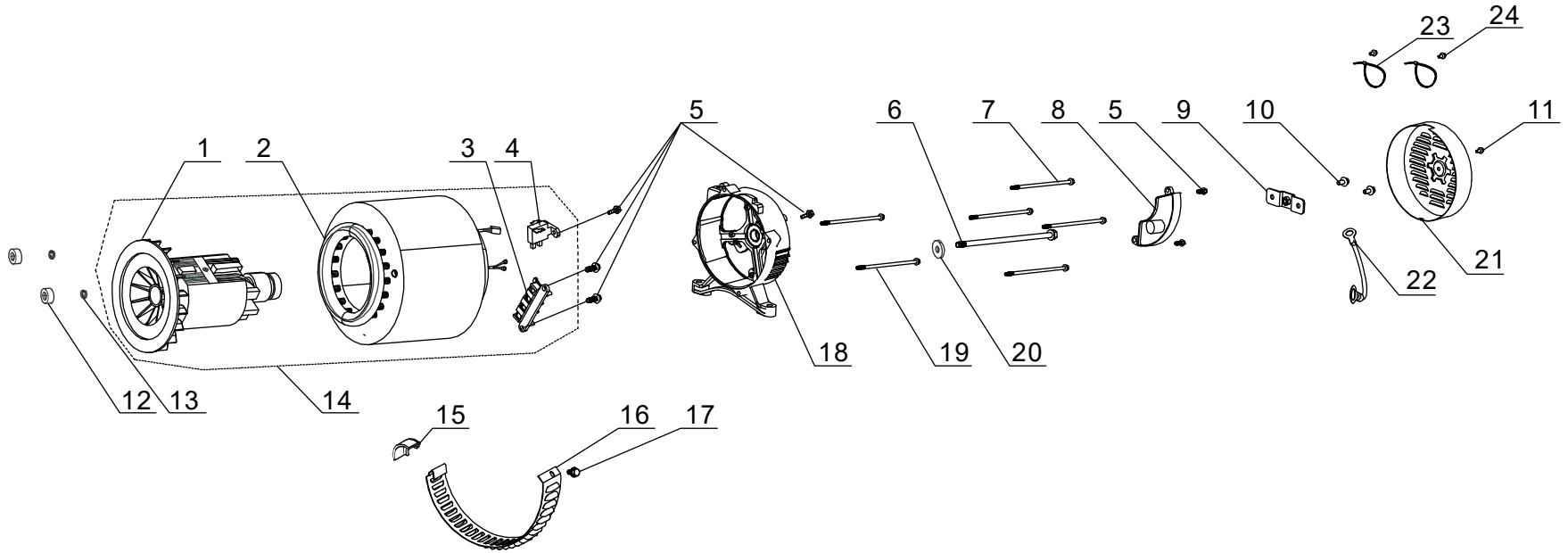


Figure E

ALTERNATOR PART LIST

#	Part Number	Description	Qty.
1	31330-YHD0110-0000	Rotor, AL, Ø190 x 130	1
2	31310-YHD0110-0000	Stator, AL, Ø190 x 130	1
3	31303HY090110-0000	Terminal Block	1
4	31320-YHD0110-0000	Carbon Brush Assembly	1
5	90001-0516-01A1	Hexagon Flange Bolt, M5 x 16, Blue White Zinc	6
6	30049-Y1Y0110-00A0	Bolt, M10 x1.25 x 255, Rotor, White Zinc	1
7	30048-Y1Y0110-0900	Bolt, M6 x 170, Stator, Blue White Zinc	4
8	30060-YHD0110-0000	AVR	1
9	51124-YJ70110-0100	Mounting Bracket, Blue White Zinc	1
10	90007-0512-A301	Hexagon Flange Bolt, M5 x 12, Black Zinc	2
11	90001-0612-0305	Hexagon Flange Bolt, M6 x 12, Black Zinc	1
12	31317-Y030110-0000	Nut, Stator, M5, Black Zinc	2
13	90403-0500-03	Spring Washer, Black Zinc	2
14	31300-YHD0110-0000	Alternator Assembly, AL, Ø190 x 130	1
15	30023-Y030120-0000	Stopper, Engine Fan Vent	1
16	30024-Y730110-0001	Vent, Engine Fan	1
17	90001-0510-0105	Hexagon Flange Bolt, M5 x 10, Blue White Zinc	1
18	30021-YJ70111-00A0	End Housing	1
19	31316-Y1Y0110-00A0	Bolt, Stator, M5 x 204	2
20	90408-Y030110-00A0	Flat Washer, Blue White Zinc	1
21	30022-YJ70110-L400	Cover, End Housing	1
22	30009-Y910110-0000	Grounding Wire	1
23	90727-Y020110-00A0	Band, 4x200	2
24	90001-0512-0301	Hexagon Flange Bolt, M5 x 12, Black Zinc	2

FUEL TANK PART DIAGRAM

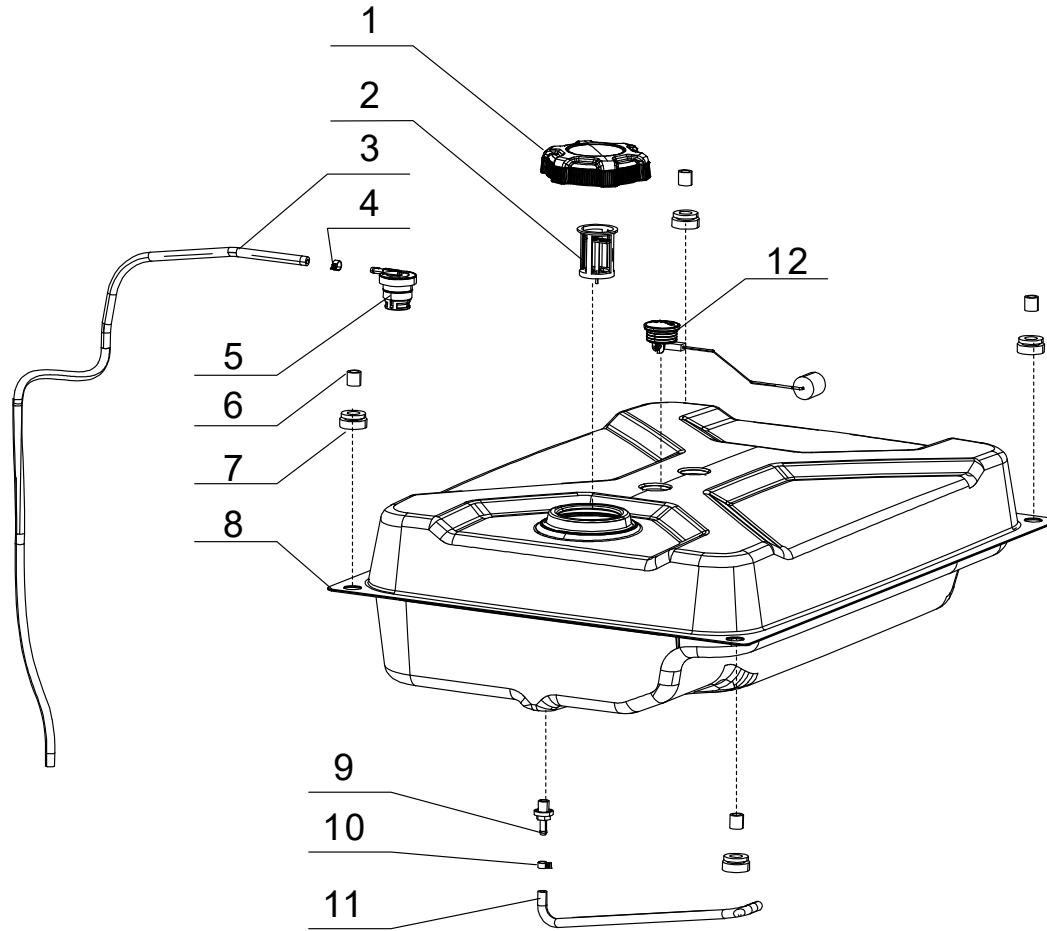


Figure F

FUEL TANK PART LIST

#	Part Number	Description	Qty.
1	16730-YGM0110-00A0	Fuel Tank Cap	1
2	16652-YGM0110-00A0	Fuel Filter	1
3	16804-YHD0110-0000	Tube, Tank Vent, Ø4.5 x Ø8.5 x 835	1
4	90740-Z010610-00A1	Clamp, Ø9	1
5	15150-YGK0110-00A0	One Way Valve	1
6	90683-Y020110-0005	Bushing, White Zinc	4
7	16601-Y020120-0001	Vibration Mount 1, Ø12.5 x 16, Fuel Tank	4
8	16620-YGM0510-L4A0	Fuel Tank, 7.7-gal, PMS 109C	1
9	16680-YJ30110-00A0	Fitting, Fuel Tank Drain	1
10	90685-Z030410-0G00	Clamp, Ø10.7x8x0.6	1
11	90686-YJ70310-00M0	Tube, Fuel Outlet, Ø4 x Ø10 x 310	1
12	37200-YGM0110-00A0	Fuel Gauge	1

CONTROL PANEL PART DIAGRAM

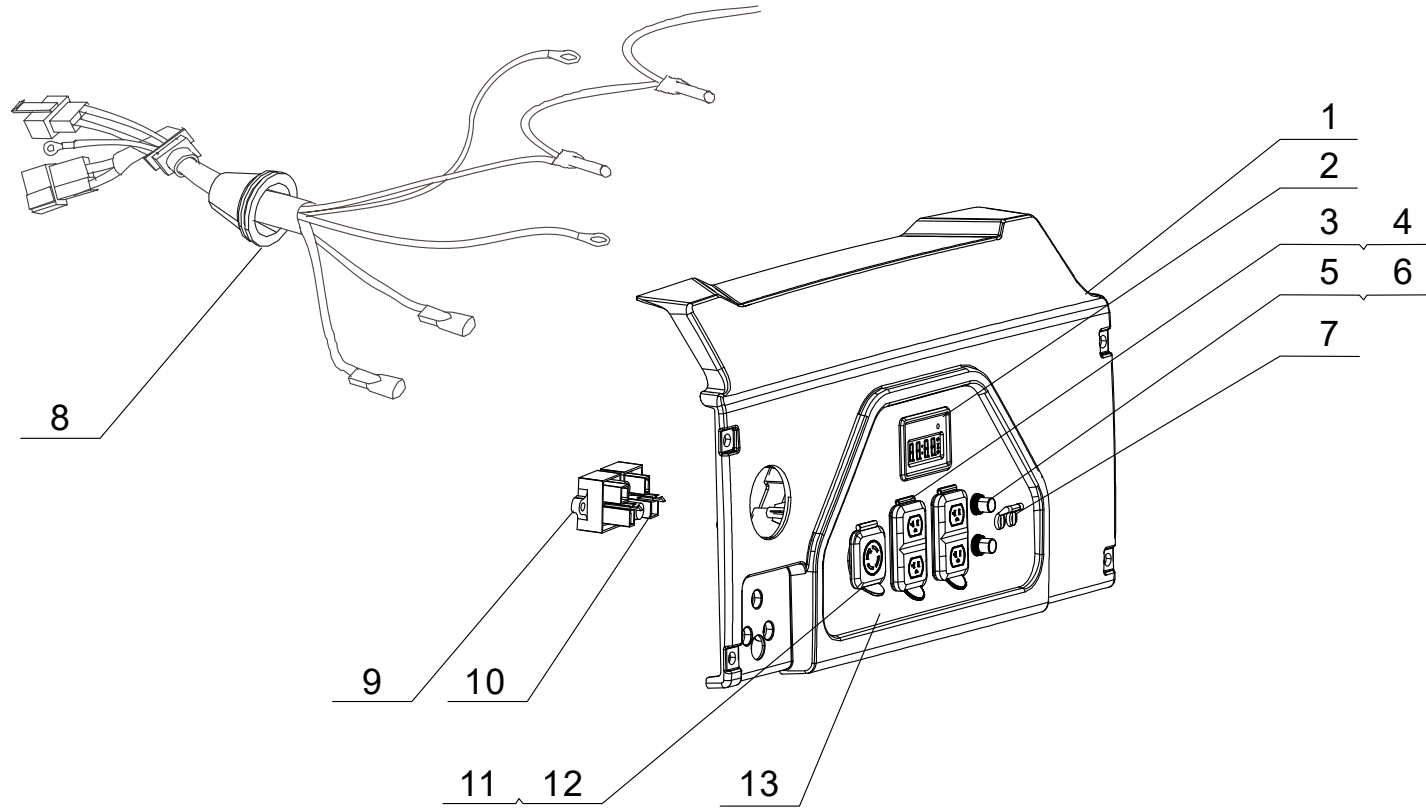


Figure G

CONTROL PANEL PART LIST

#	Part Number	Description	Qty.
1	35680-YJP0110-Q200	Control Panel Housing	1
2	35632-YJP0110-0000	Multifunctional Display	1
3	35614-Y9X0110-0000	5-20R GFCI Receptacle, 20A, 125V	2
4	35654-YBE0110-0000	Receptacle Cover, 5-20R	2
5	31234-YBE0210-0000	20Amp Circuit Breaker, Push Button	2
6	35654-YGK0110-0000	Cover, Push Button Circuit Breaker	2
7	35627-YJP0110-0000	26Amp Circuit Breaker, 2P flip	1
8	35660-YJP0110-0000	Wire Harness, Control Panel	1
9	30008-YJP0110-0000	Control Module, Carburator	1
10	30008-YJ30110-0000	OVF Module	1
11	35654-YBE0210-0000	Receptacle Cover, L14-30R	1
12	35614-Y090110-0000	L14-30R Receptacle, 30A, 125V/250V	1
13	35650-YJP0110-H200	Control Panel	1

FRAME ASSEMBLY PART DIAGRAM

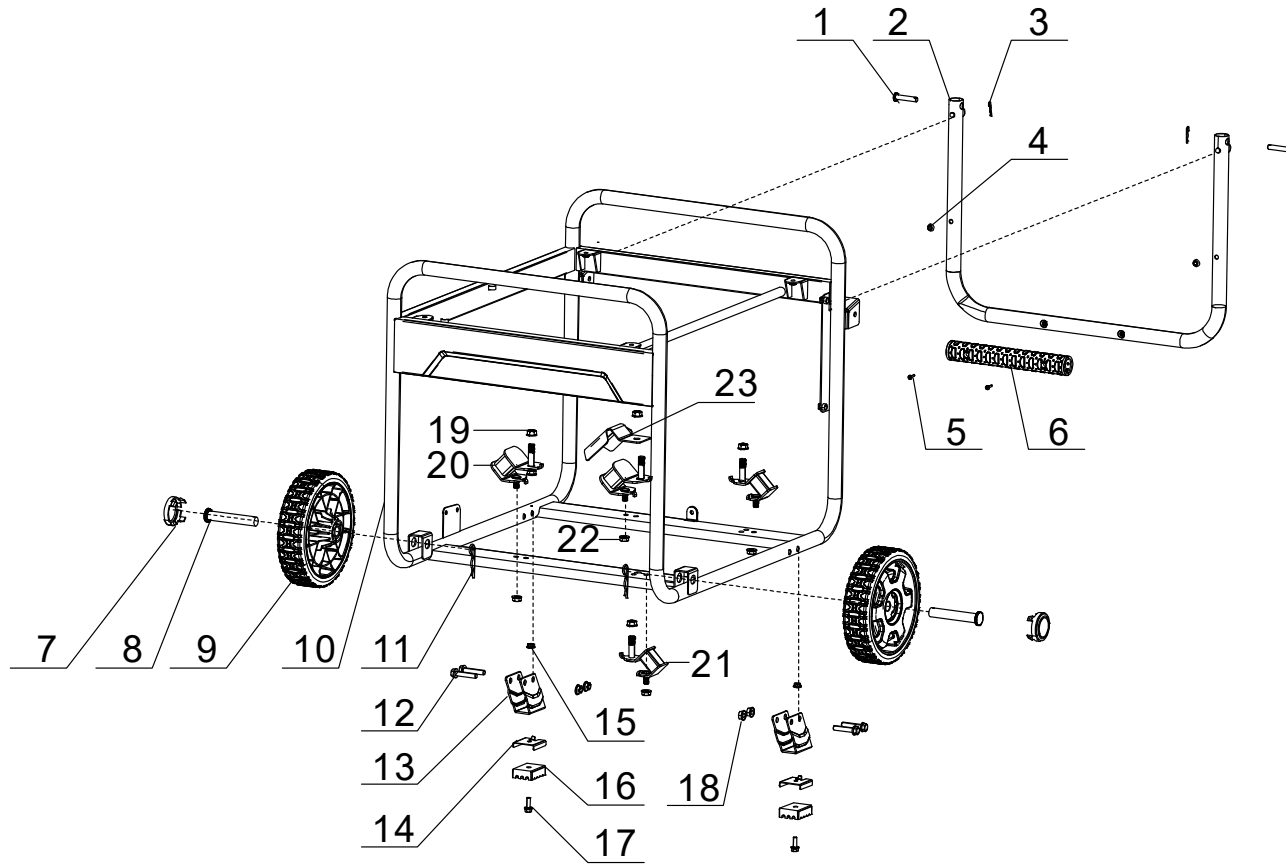


Figure H

FRAME ASSEMBLY PART LIST

#	Part Number	Description	Qty.
1	90504-Y9X0110-0305	Pin Shaft, Black Zinc	2
2	54110-YGM0110-H2A0	Handle, Ø25 x 1.2	1
3	90583-YGK0110-03A0	R-Clip, Ø2 x 38, Black Zinc	2
4	90722-YEC0110-0001	Plug, End	2
5	90103-0416-5301	Cross Recess Pan Head Tapping Screw, M4 x 16, White Zinc	2
6	54101-YGM0110-L400	Handle Grip	1
7	44001-V580110-L401	Cover, Hub Decorated, PMS 109C	2
8	44020-Y9X0110-0306	Roll Pin, Ø16 x 89.5, Black Zinc	2
9	44110-V580110-0000	Wheel, 8 in, PMS 109C	2
10	51100-YJP0110-H2A0	Frame, Ø25, 714 x 550 x 565	1
11	90501-Y2C0110-03A1	R-Clip, Ø3 x 65.5, Black Zinc	2
12	90001-0840-0301	Hexagon Flange Bolt, M8 x 40, Black Zinc	4
13	51016-YJ30110-H2A0	Support Leg	2
14	24329-YJ70110-H200	Bracket, Anti-Rotation	2
15	90305-0600-3301	Hexagon Flange Nut, M6, Black Zinc	2
16	51014-YJ70110-0000	Vibration Mount, Support Leg	2
17	90001-0620-0305	Hexagon Flange Bolt, M6 x 20, Black Zinc	2
18	90305-0800-3305	Hexagon Flange Nut, M8, Black Zinc	4
19	90306-1000A0301	Hexagon Flange Nut, M10, Black Zinc	4
20	51012HY030120-0000	Vibration Mount 1, Frame	2
21	51005HY030120-0000	Vibration Mount 2, Frame	2
22	90305-0800-3305	Hexagon Flange Nut, M8, Black Zinc	4
23	24329-YGM0110-H2A0	Heat Shield	1

WIRING DIAGRAM

