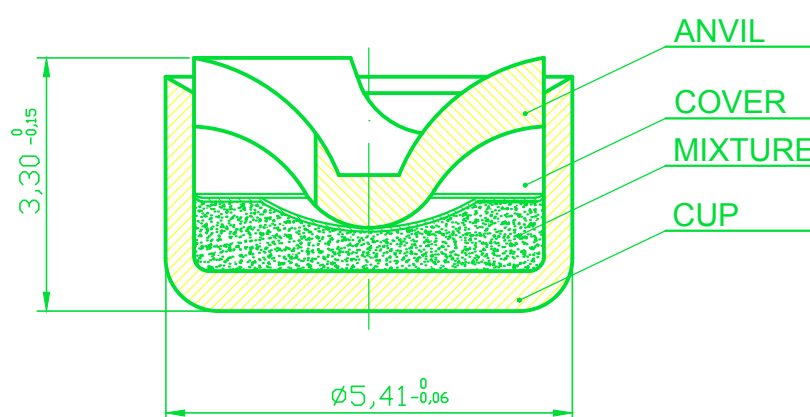




## ECO Primer 5,5/3-N for 7,62x51mm NATO

EN ISO 9001:2015  
 EN ISO 14001:2015  
 EN ISO 45001:2018

### NON TOXIC, NON CORROSIVE, HEAVY METAL FREE



**DESIGNED FOR USE IN:**  
 7,62x51mm NATO

TECHNICAL CHARACTERISTICS		
Position	Material identification	Dimensions
Cup	CuZn30	0,71 <sup>0</sup> <sub>-0,02</sub> mm
Anvil	CuZn30	0,91 <sup>0</sup> <sub>-0,03</sub> mm
Cover	Paper disc	0,10 <sup>0</sup> <sub>-0,02</sub> mm
Primer lacquers	Nitro lacquer capon, green	-
Mixture	Non toxic, non corrosive, heavy metal free	

SENSITIVITY	
Ball weight	111,7 g
Upper statistical limit	$\bar{H} + 5S \leq 381 \text{ mm (15")}$
Lower statistical limit	$\bar{H} - 2S \geq 50,8 \text{ mm (2" )}$
Firing pin	Ø2mm; R1mm
Testing in cartridge case	7,62x51 mm NATO

PACKING
100pcs. of primers packed into a plastic tray with carton cover
50 pcs. of plastic trays packed into a carton box
8 carton boxes (40 000 pcs. of primers) packed into a special (carton or wooden) case