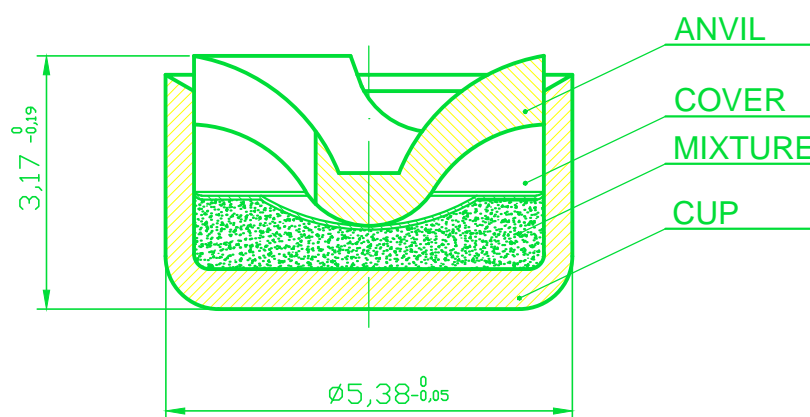




EN ISO 9001:2015
 EN ISO 14001:2015
 EN ISO 45001:2018

NON TOXIC, NON CORROSIVE, HEAVY METAL FREE



DESIGNED FOR USE IN:		
.45 ACP COLT; .32 S&W		

TECHNICAL CHARACTERISTICS		
Position	Material identification	Dimensions
Cup	CuZn30	0,45 ^{+0,02} ₀ mm
Anvil	CuZn30	0,91 ⁰ _{-0,03} mm
Cover	Paper disc	0,10 ⁰ _{-0,02} mm
Primer lacquers	Nitro lacquer capon, green	-
Mixture	Non toxic, non corrosive, heavy metal free	

SENSITIVITY	
Ball weight	55 g
Upper statistical limit	$\bar{H} + 4S \leq 406,4 \text{ mm (16")}$
Lower statistical limit	$\bar{H} - 2S > 50,8 \text{ mm (2")}$
Firing pin	Ø2mm; R1,28mm
Testing in cartridge case	.45 ACP

PACKING	
100pcs. of primers packed into a plastic tray with carton cover	
50 pcs. of plastic trays packed into a carton box	
8 carton boxes (40 000 pcs. of primers) packed into a special (carton or wooden) case	